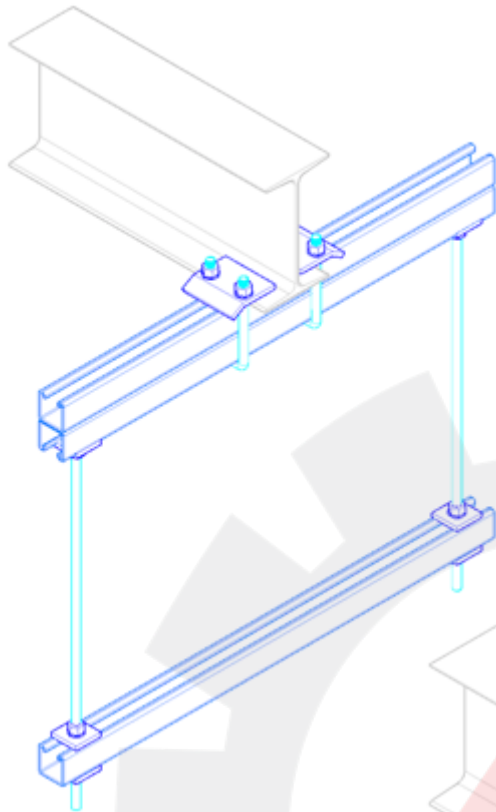
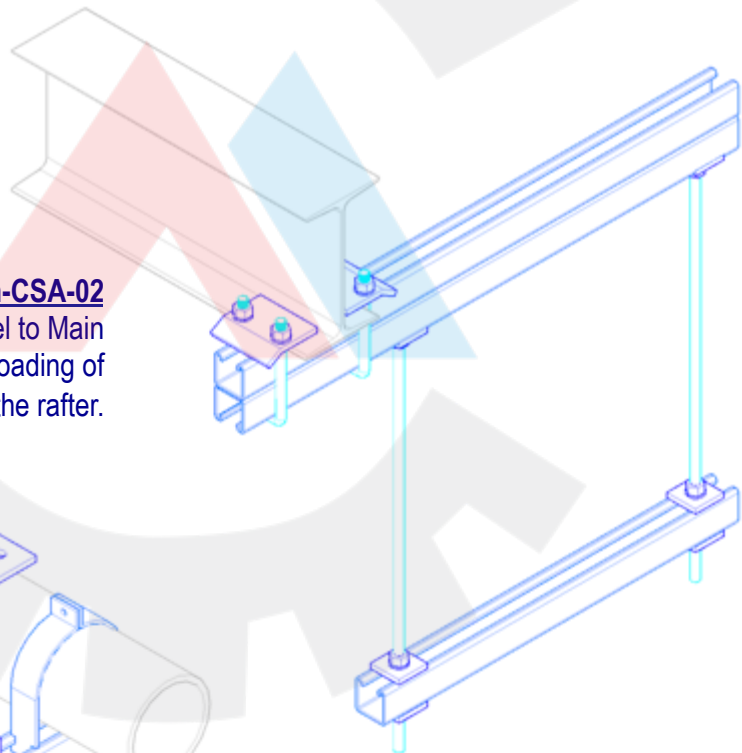


Few of Our Customized Support Assemblies...



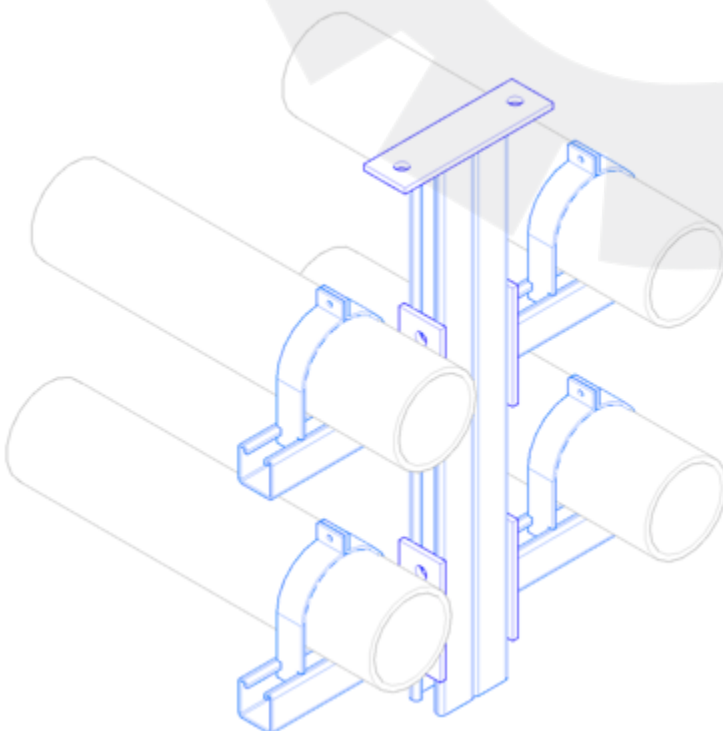
Am-CSA-01

Support for Pipes & Trays running parallel to Main Rafter. This support is for Symmetric Loading of services on the rafter.



Am-CSA-02

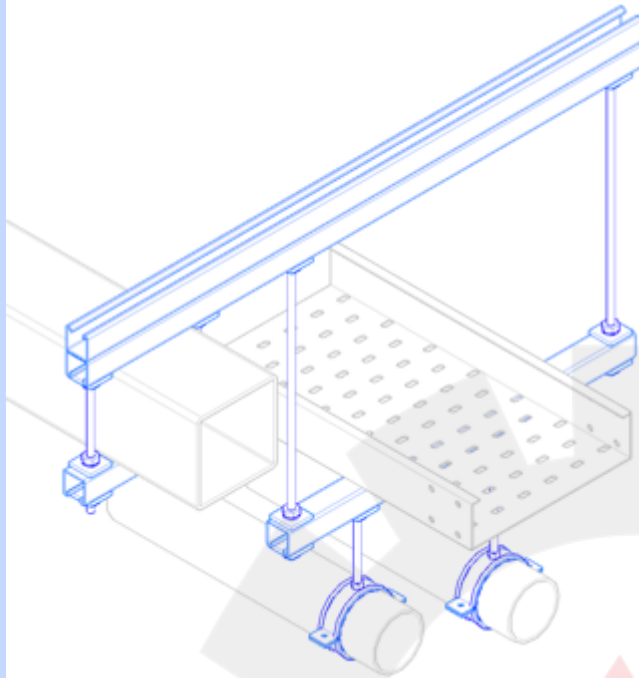
Support for Pipes & Trays running parallel to Main Rafter. This support is for A-Symmetric Loading of services on the rafter.



Am-CSA-03

Cantilever Arm used to make the Pipe rack. Vertical Height Adjustable to Suit Pipe Diameter Changes on site during final installation and handover.

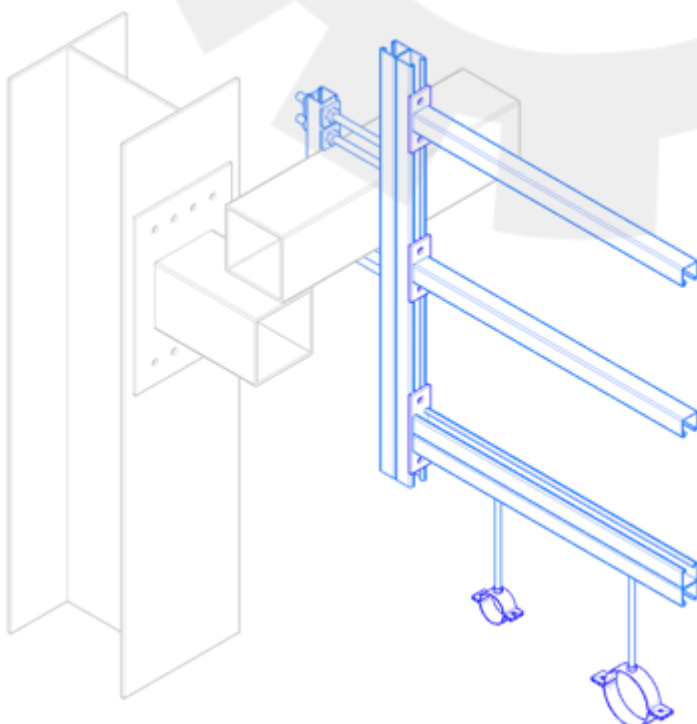
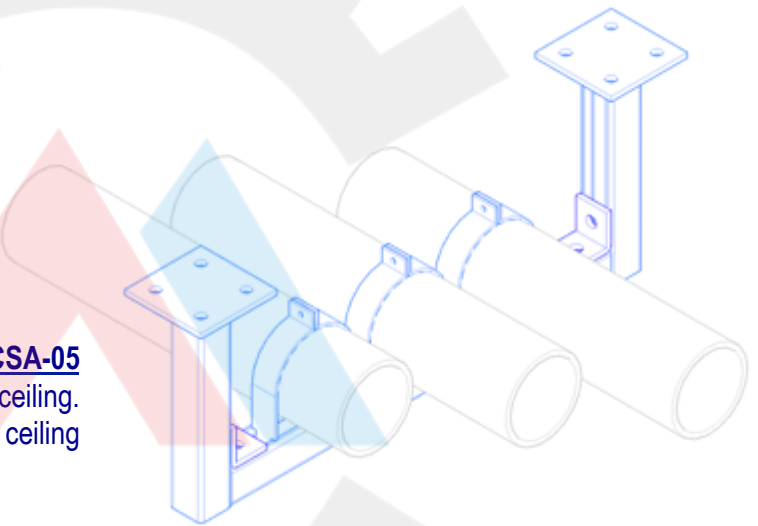
Few of Our Customized Support Assemblies...



Am-CSA-04

Support for Pipes & Trays between columns. The same system can be installed below the north light Structure. The Square Tube is the structural member used to connect between columns and can be done upto a span of 14 Mtrs.

Am-CSA-05
Support for Pipes & Trays running Below ceiling.
Assembly will be anchored on the ceiling

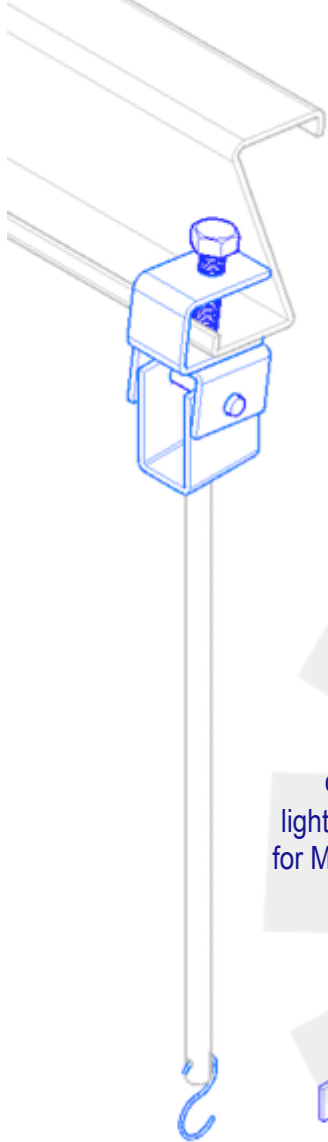


Am-CSA-06

Support for Pipes & Trays between columns. Multi Level supports available for pipes and trays for different utilities and services.

The Square Tube is the structural member used to connect between columns and can be done upto a span of 14 Mtrs.

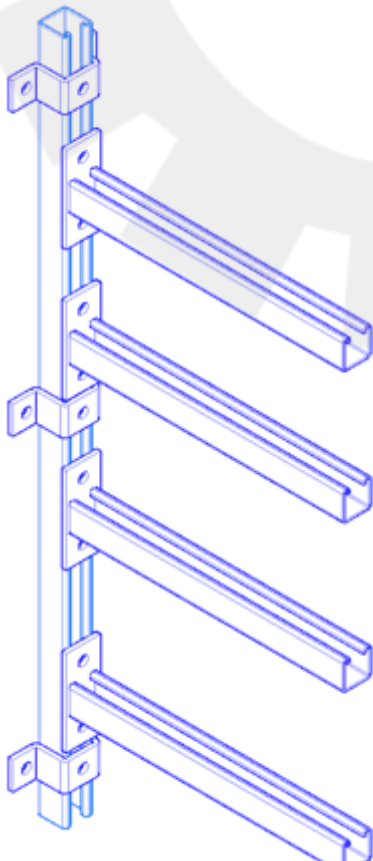
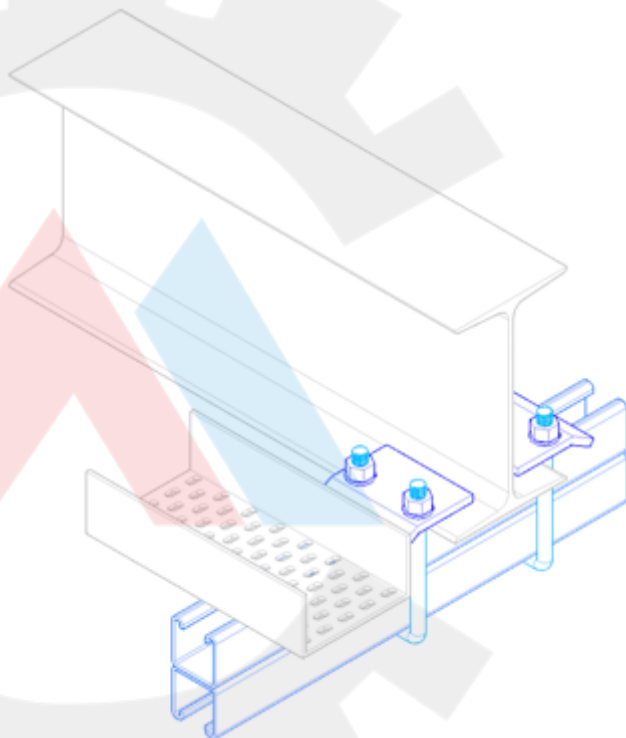
Few of Our Customized Support Assemblies...



Am-CSA-07

Swivel Type Hanger for Light Fitting. Can be supported from Z Purlin or Main Rafter. Swivel Clamp allows the vertical support to automatically drop straight even when supported from a slanted building member

Am-CSA-08
Support for Trays running parallel to Main Rafter. This support is typically used for cable tray used for supply of lighting in a Industrial Building & for Main Header for the Sprinkler System



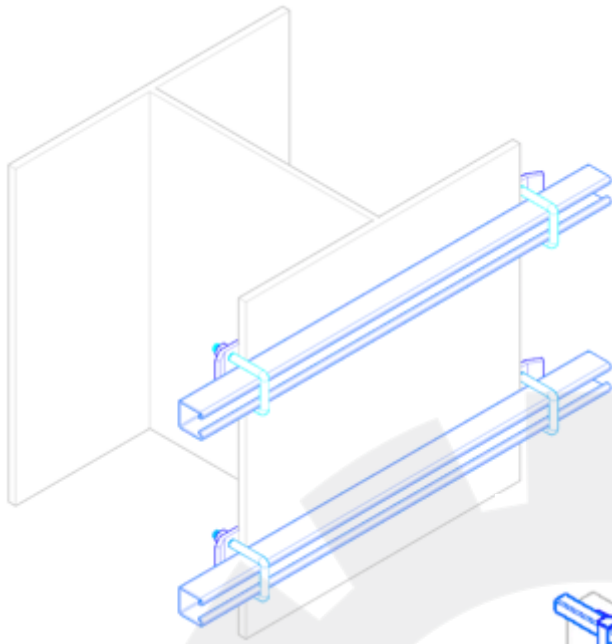
Am-CSA-09

Multi Level Utility Rack. Will be anchored on the wall of a cable trench or Industrial Building wall as per requirement.

Few of Our Customized Support Assemblies...

Am-CSA-10

Support for vertical drops from the web side of the vertical column of a Industrial Building



Am-CSA-11

Free standing structure for utility support for main machine supply. Multi level support for Buzz Duct, Tray & Pipes at machine level

